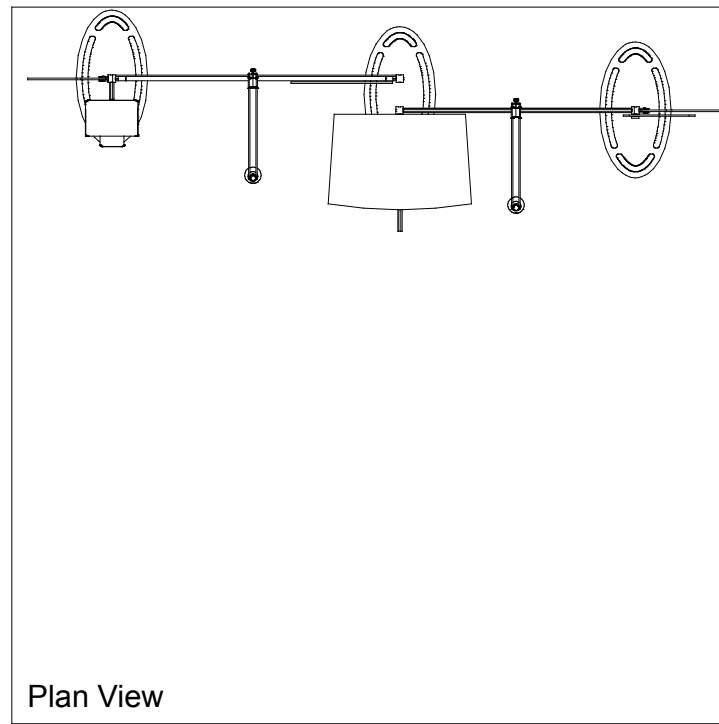
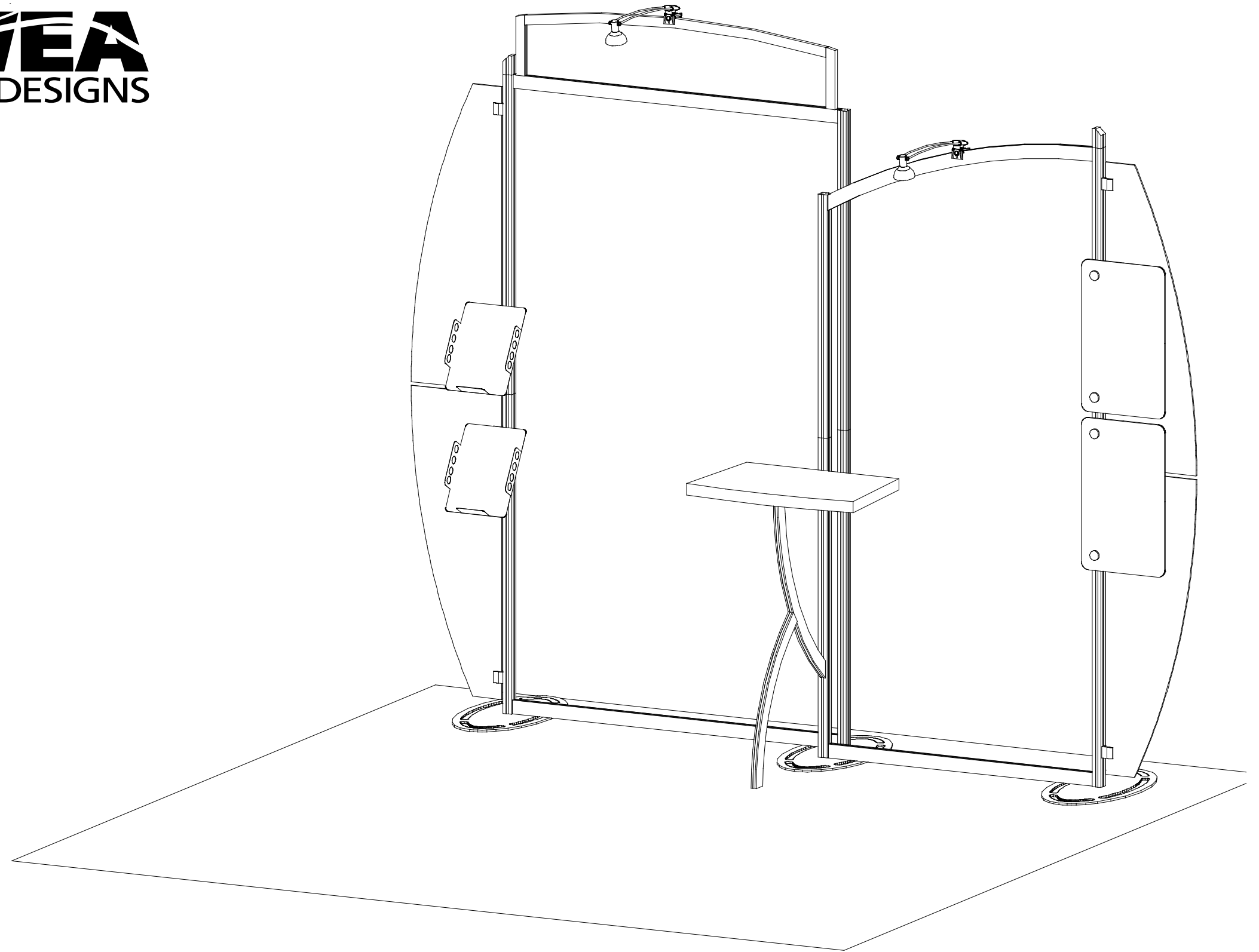


# SACAGAWEA

DESIGNS



10'



WHEN DISASSEMBLING ALUMINUM EXTRUSION, TIGHTEN ALL SETSCREWS AND LOCKS TO PREVENT LOSS DURING SHIPPING

# SACAGAWEA DESIGNS

## Using Your Set-up Instructions:

The Visionary Designs Set-up Instructions for Sacagawea displays are created specifically for your configuration. They are laid out sequentially, including an exploded view of the entire display and a logical series of detailed steps for assembly. We encourage you to study the instructions **before** attempting to assemble your exhibit.

### THIS IS VERY IMPORTANT!

Each page reminds you to tighten the setscrews after disassembling your exhibit to prevent loss of the locks and setscrews (see below in red).

## Cleaning & Packing Your Display:

- 1) Use care when cleaning aluminum extrusions or acrylic inserts. Use only non-abrasive cleaners.
- 2) When cleaning laminate inserts or counter tops, use mild cleansers and a soft material such as cotton.
- 3) Keep all display components away from extreme heat and long exposure to sunlight to avoid warping and fading.
- 4) Retain all packing materials. It will make re-packing much easier and will reduce the likelihood of shipping damage.

Hex Key Tool



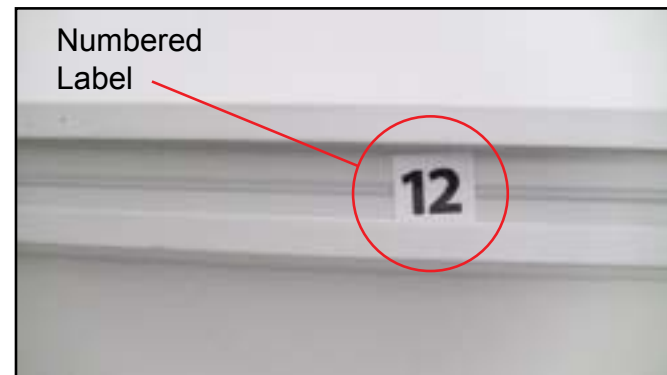
Most visionary design exhibits can be assembled with the supplied Hex Key Tool. Occasionally, a flat head screwdriver may be required.

Typical Connection



Detail A: Most horizontal extrusion connections have a patented expandable lock. This lock inserts into the groove of an opposing extrusion. Tightening the lock with the Hex Key Tool expands the lock and creates a strong positive connection.

Typical Connection



Detail B: Each extrusion contains a numbered label that corresponds to set-up instructions. The label is located within a groove of the extrusion (when possible). Visionary Design labels contain Black numbers unless otherwise specified.

Horizontal Connection



Detail C: A rectangular connection bar with plastic T Knobs is inserted between two horizontal extrusions joined end-to-end. Turn the knobs clockwise to tighten. Do Not Overtighten.

Base Plate Connection



Detail D: Attach vertical extrusions to base plates with supplied bolts inserted through the hole in the plate. Be careful not to strip the thread.

Vertical Connection



Detail E: A square connection bar with plastic T Knobs is inserted between two vertical extrusions joined end-to-end. Turn the knobs clockwise to tighten. Do Not Overtighten.

Corner Connection



Detail F: Plastic Star Knobs are used to tighten locks where horizontal extrusions connect with vertical extrusions. Turn the knobs clockwise to tighten. Turn counter-clockwise to loosen, but do not remove knob. Do Not Overtighten.

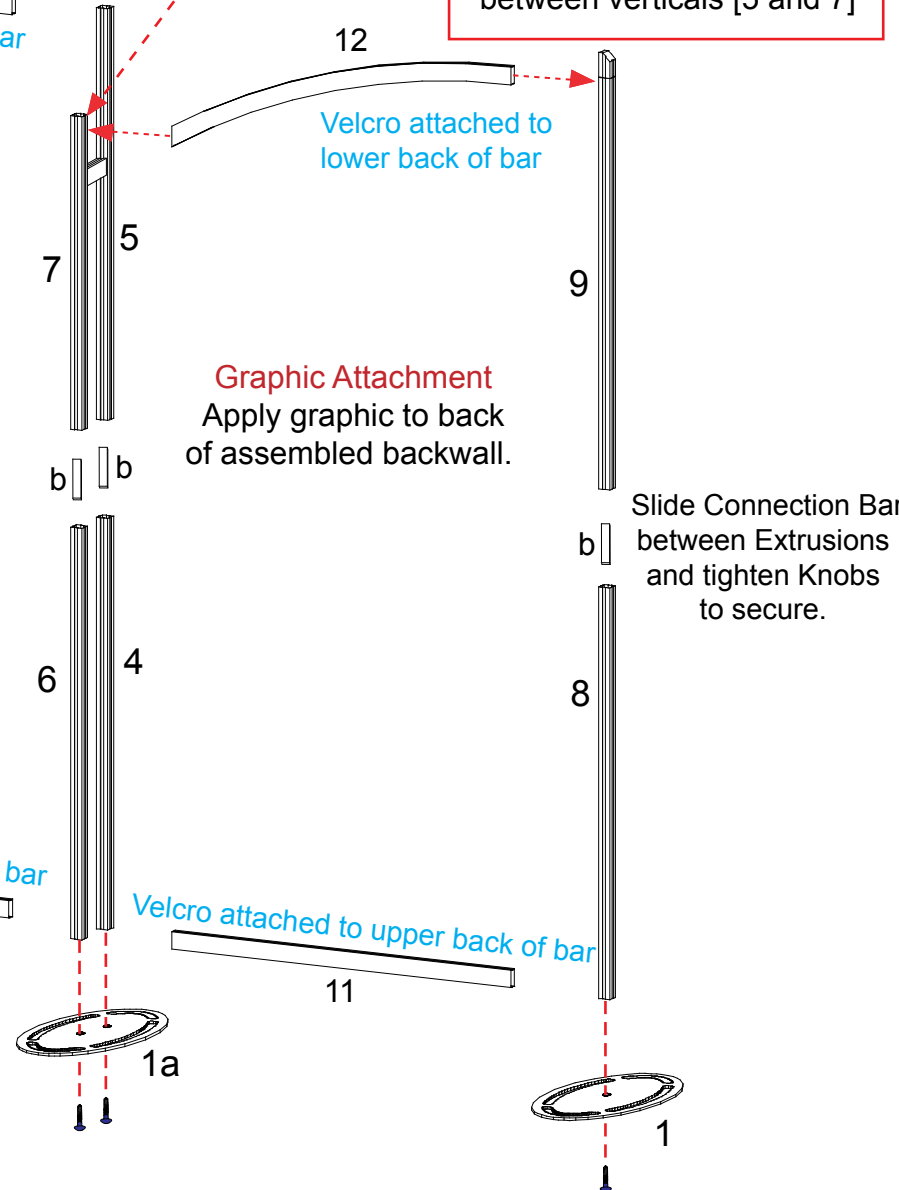
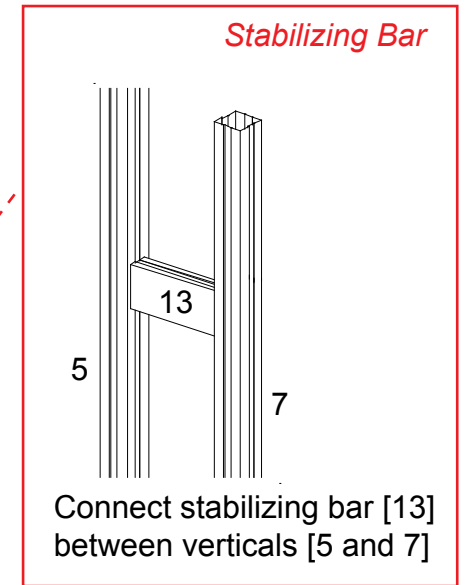
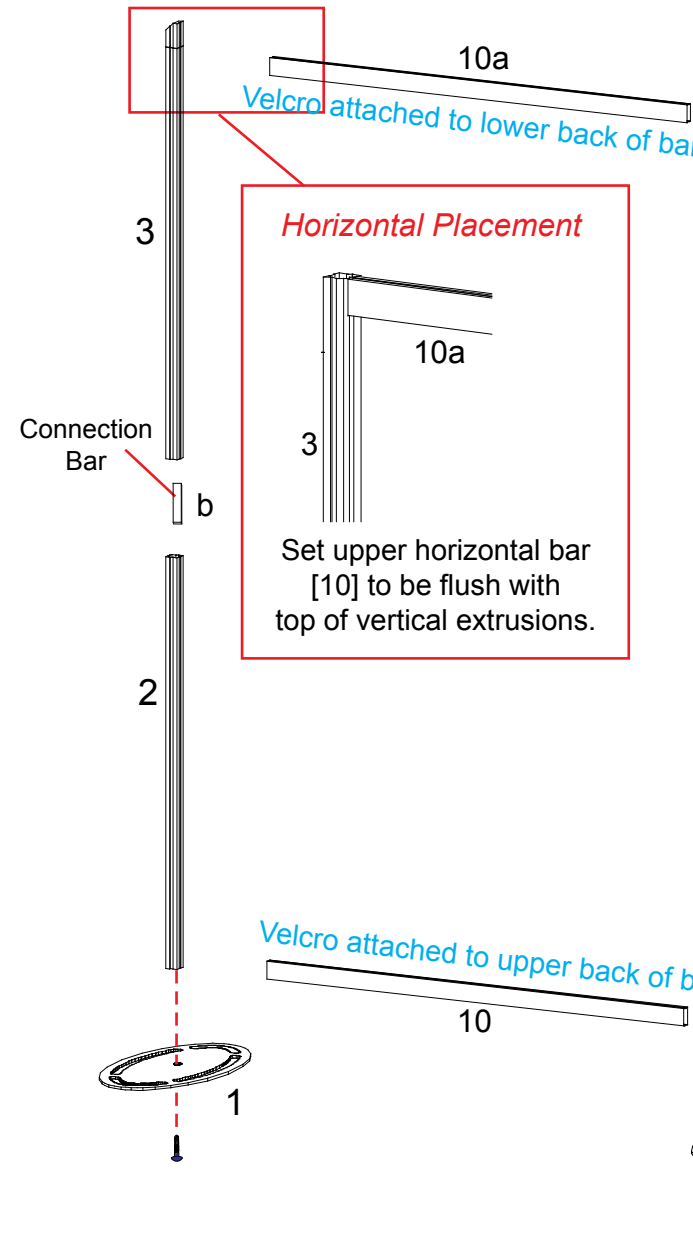
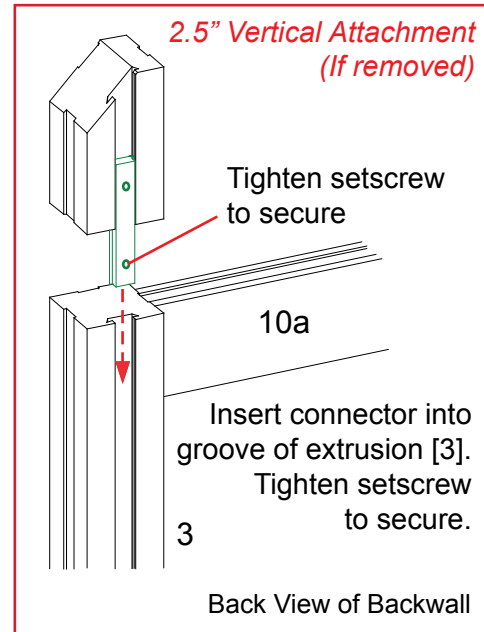
**WHEN DISASSEMBLING ALUMINUM EXTRUSION, TIGHTEN ALL SETSCREWS AND LOCKS TO PREVENT LOSS DURING SHIPPING**

866.652.2100

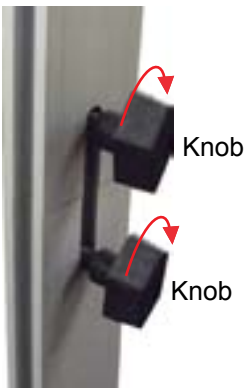
Item	Qty.	Description
1	2	Base Plate w/ 1 Hole
1a	1	Base Plate w/ 2 Holes
2	1	42" Lower Square Vertical Extrusion
3	1	42" Upper Square Vertical Extrusion
4	1	42" Lower Square Vertical Extrusion
5	1	42" Upper Square Vertical Extrusion
6	1	42" Lower Square Vertical Extrusion
7	1	32" Upper Square Vertical Extrusion
8	1	42" Lower Square Vertical Extrusion
9	1	42" Upper Square Vertical Extrusion
10/10a	1/1	47" Horizontal Extrusion
11	1	38.25" Horizontal Extrusion
12	1	40.9826" Curved Extrusion
13	1	4" Stabilizing Extrusion

Steps:

- 1) Attach vertical extrusions [2,4,6,8] to base plates [1,1a].
- 2) Attach upper vertical extrusions [3,5,7,9] to lower extrusions [2,4,6,8] using connection bar [b].
- 4) Connect stabilizing bar [13] between verticals [5,7], refer to detail.
- 5) Attach horizontal extrusions [10,10a,11,12] between vertical assemblies as shown.
- 6) Apply graphic to back of assembled backwall.



STAR indicates location of knobs on BACKSIDE of unit.



Turn Knob Clockwise to Tighten Lock

\*\*Do not over tighten Knobs.\*\*

GREEN STAR indicates location of connection lock with knob.



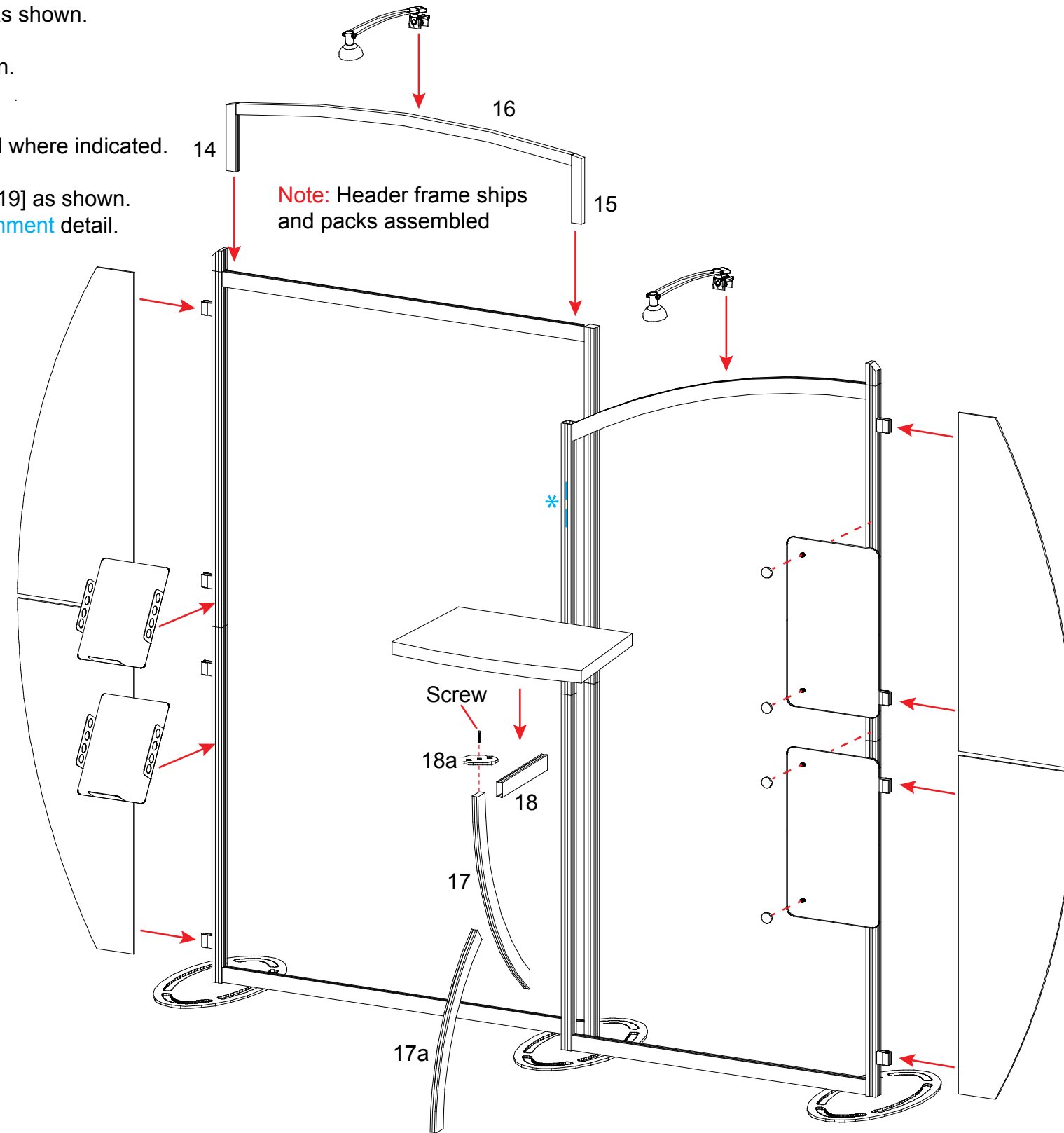
**WHEN DISASSEMBLING ALUMINUM EXTRUSION, TIGHTEN ALL SETSCREWS AND LOCKS TO PREVENT LOSS DURING SHIPPING**

866.652.2100

Steps:

- 1) Attach assembled header frame to top of backwall as shown.
- 2) Apply graphic to velcro on back of header frame.
- 3) Attach lights to header frame and backwall as shown.
- 4) Attach wings to backwall with A10 clamps.
- 5) Attach literature racks to backwall as shown.
- 6) Attach assembled counter support [18/19] to vertical where indicated.
- 7) Attach support leg [18a] to counter support [18/19].
- 8) Attach flange plate [19a] to top of curved extrusion [19] as shown.
- 9) Attach counter top to support, see [counter top attachment](#) detail.
- 10) Attach monitor mount to connectors as shown.

Item	Description
14	9.2856" Vertical extrusion
15	9.2856" Vertical extrusion
16	43.66" Curved Horizontal Extrusion
17	30.2" Curved Extrusion
17a	Leg Support
18	12.184" Horizontal Extrusion
18a	Flange Plate



**\* Monitor Mount Attachment**

Attach monitor mount back plate to connectors using setscrews provided.

**A10 Clamp Detail**

Tighten set screw to secure A10 to extrusion.

Tighten knob to secure graphic header in place.

**Literature Rack Attachment**

Tighten Lock to Secure

Attach connector piece to rack as shown. Then connect assembled literature rack to vertical extrusion.

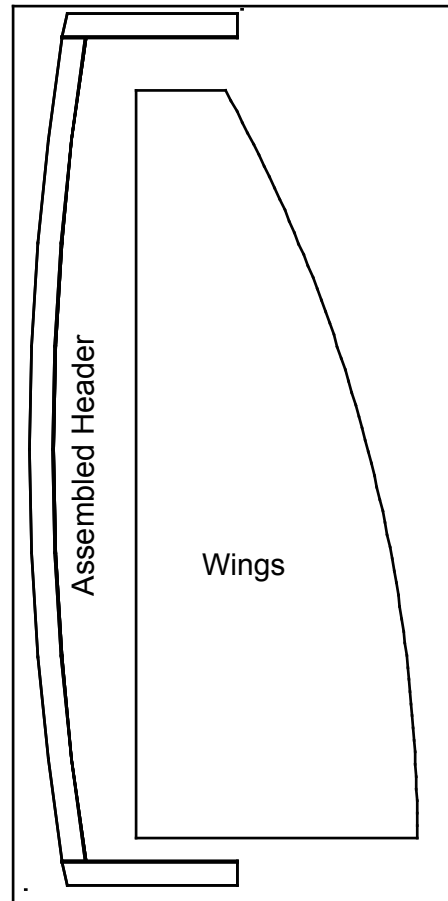
**Counter Top Attachment**

Insert screws located on underside of counter into holes on flange plate and secure with wing nuts.

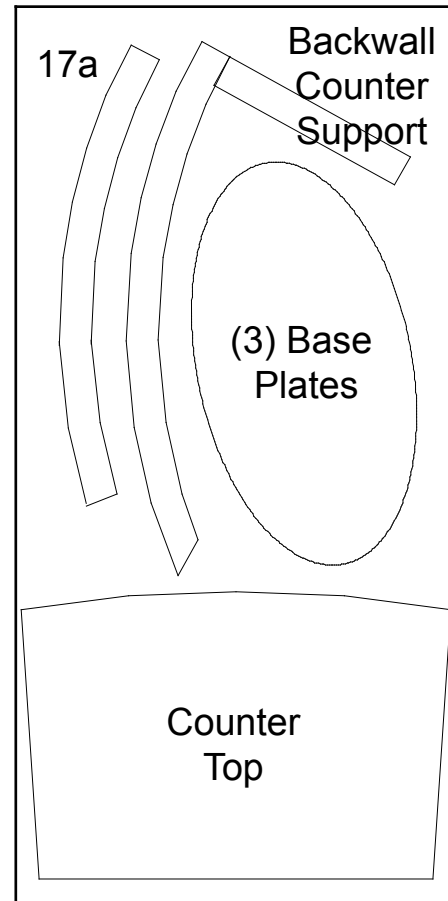
Wing Nut

**WHEN DISASSEMBLING ALUMINUM EXTRUSION, TIGHTEN ALL SETSCREWS AND LOCKS TO PREVENT LOSS DURING SHIPPING**

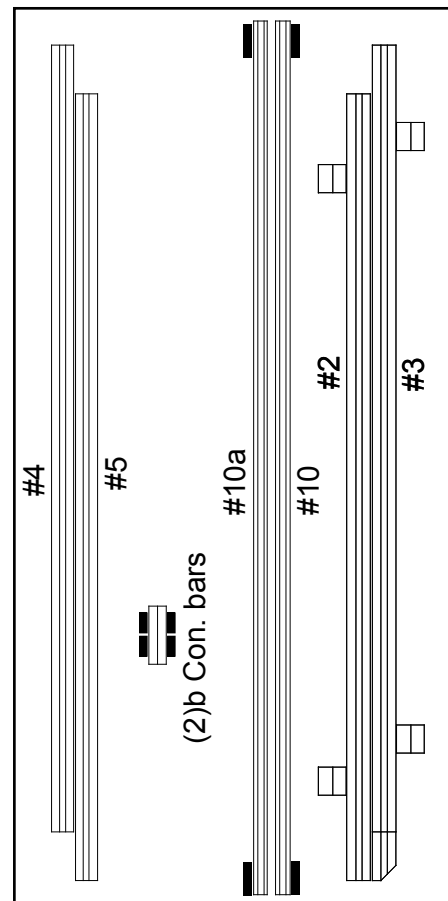
Top View



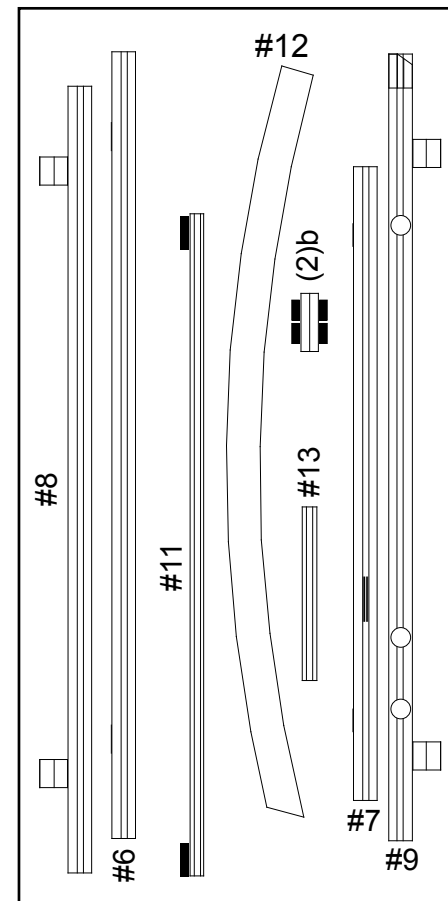
Level 1



Level 2



Level 3



Level 4

Graphics

Setup Hardware & Literature Pockets

Halogen Lights

WHEN DISASSEMBLING ALUMINUM EXTRUSION, TIGHTEN ALL SETSCREWS AND LOCKS TO PREVENT LOSS DURING SHIPPING